

from RMA release # 362, May 20, 1944

- Type of Tube - Ultra High Frequency Oscillator triode for pulse operation.
- Cathode - Indirectly heated, oxide coated.
- Envelope - Metal & glass, with air cooled radiator.

Electrical Ratings

| | | |
|-----------------------------------|-------|--------------------|
| Filament Voltage (AC or DC) | E_f | - 6.0 volts |
| Filament Current | I_f | - 6.5 amperes |
| Maximum peak plate voltage | e_p | - 12 K.V. Note A |
| Peak plate Current | a | - 40 amperes |
| Maximum plate dissipation | P_p | - 150 watts Note B |
| Amplification factor | M_u | - 22 |

Inter electrode Capacities

| | | |
|------------------|-----------|------------|
| Plate to grid | 8 mmf. | $\pm 25\%$ |
| Grid to cathode | 11 mmf. | $\pm 25\%$ |
| Plate to cathode | 2.25 mmf. | $\pm 33\%$ |

NOTES

- A. 12 K.V. cannot be initially applied directly to the tube. The voltage must be gradually increased to 12 K.V.
- B. The air cooled surface of the **plate** and the glass seals must be maintained below 140°C. To attain this at least 5 cu. ft., of air per minute must be blown on the **plate** radiator and 1 cu. ft. of air per min. must be blown on the grid seal.

SECRET

COPY NO.

REVISED DATE

COMPILED DATE

MADE BY

APP.

Jan 26/44

APB

Mr. L.C.F.Horle
R.M.A. Eng. Dept.
90 West Street
New York City.

Issue I

4C29

AMENDMENT I
TO
TRANSMITTING TRIODE
FOR SUPPLY TO
RESEARCH ENTERPRISES LIMITED

The detailed drawings on pages 2 and 3 of this Amendment are to be added to the R.E.L. Tube Specification 4C29 Issue I.

SECRET

COPY NO.

REVISED DATE

COMPILED DATE

MADE BY

APP.

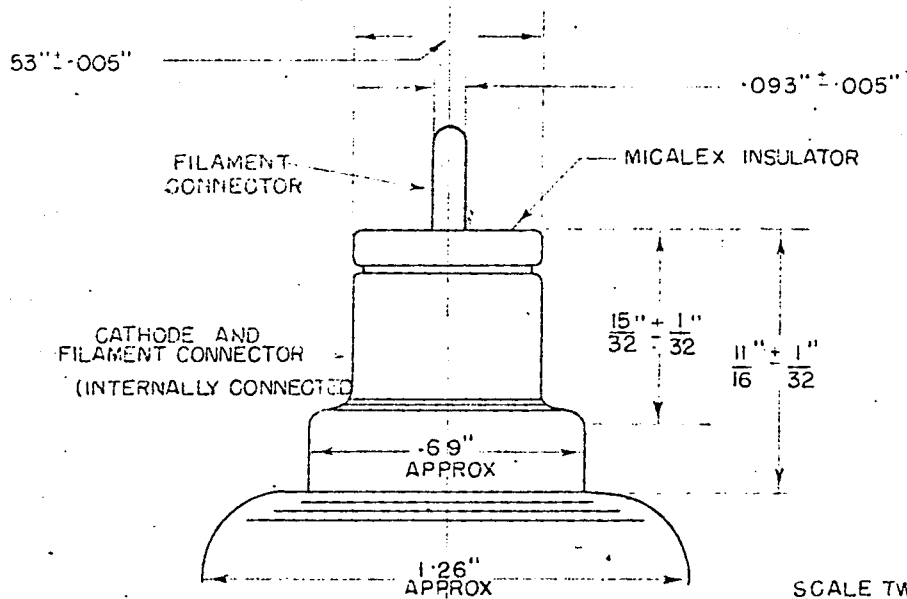
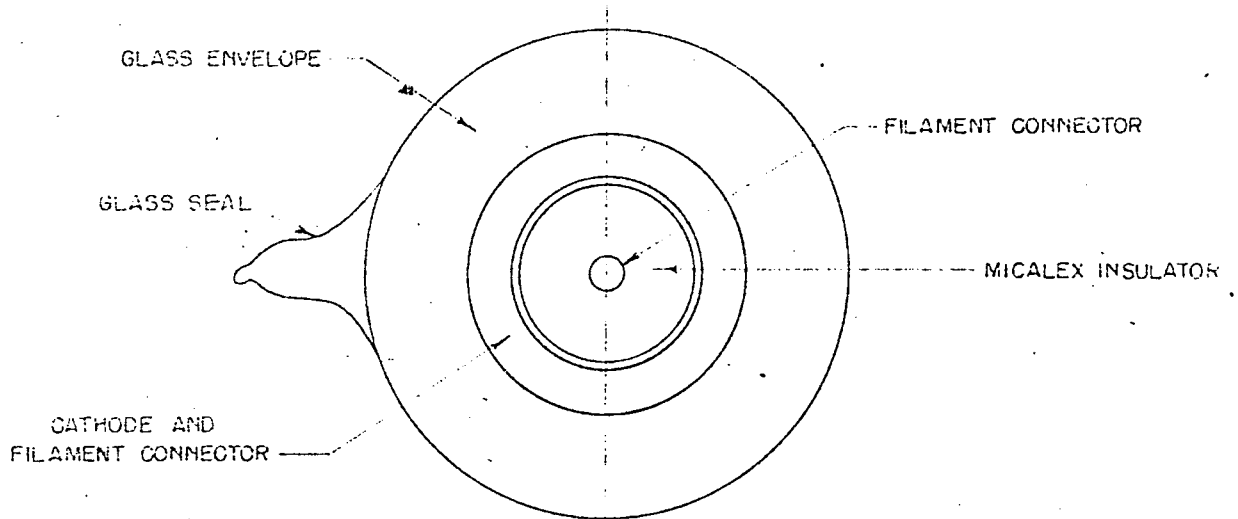
Apr. 19/44

[Handwritten initials]

Mr. L.C.F.Horle

Issue I

TUBE TYPE 4C29



SCALE TWICE FULL SIZE

DETAILED DRAWING
SHOWING DIMENSIONS OF
CATHODE AND FILAMENT CONNECTOR

COPY NO.

REVISED DATE

COMPILED DATE

MADE BY

APP.

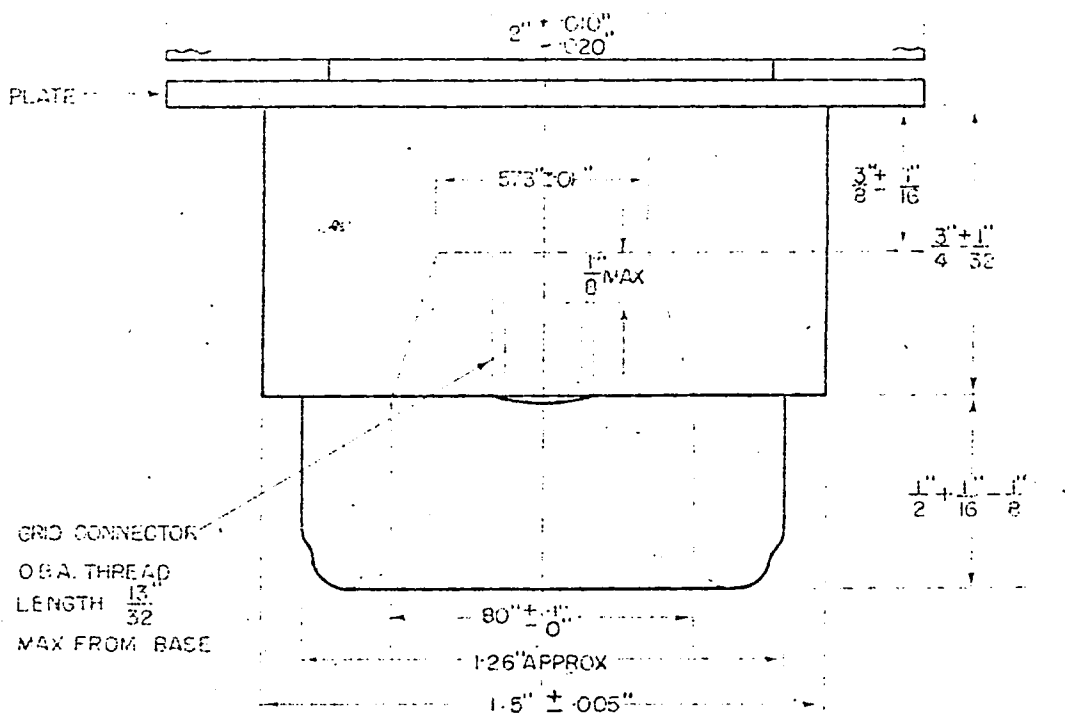
Apr. 19/44

R.C.H. APRIL 21,44

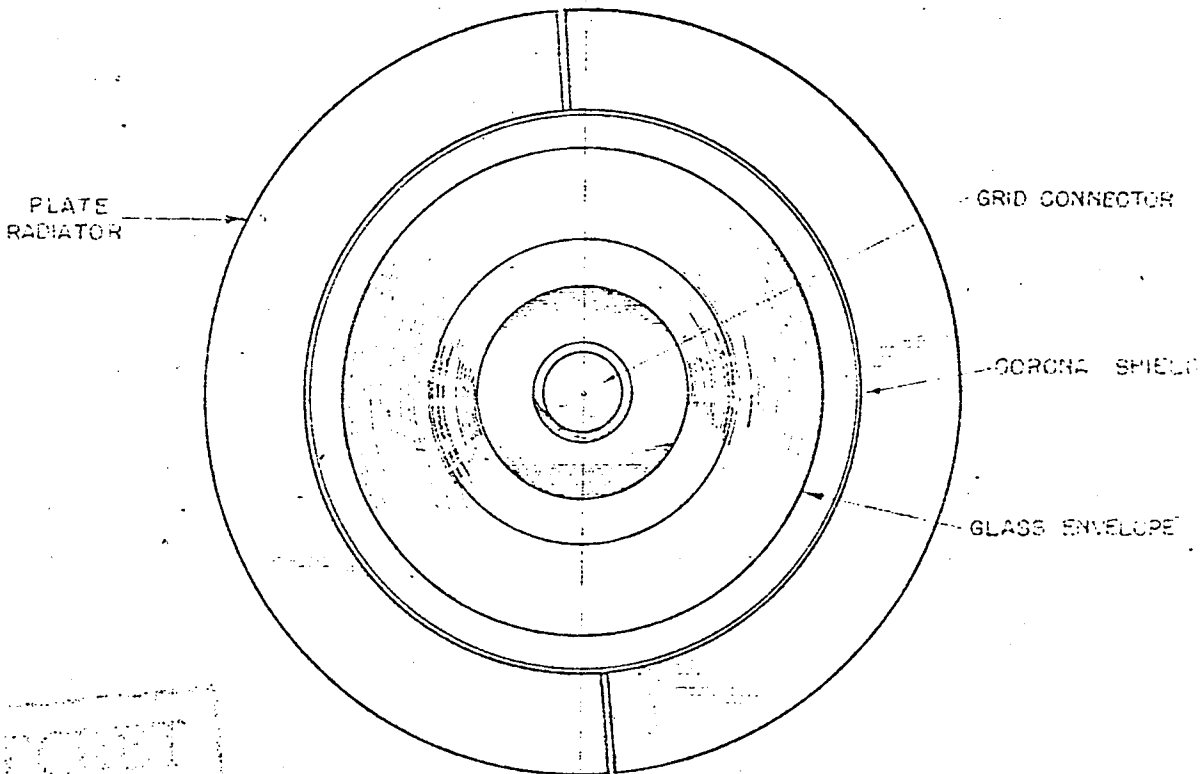
Mr. L. C. F. Horle

TUBE TYPE 4C29

Issue 1



SCALE TWICE FULL SIZE



SECRET

DETAILED DRAWING SHOWING DIMENSIONS OF GRID END OF TUBE TYPE 4C29

| | | | | |
|----------|--------------|---------------|-----------------------|------|
| COPY NO. | REVISED DATE | COMPILED DATE | MADE BY | APP. |
| | | Apr. 19/44 | R. G. H. APRIL 23, 44 | |